

Copyright (C) 2019 Dr. Ludovico Minati.

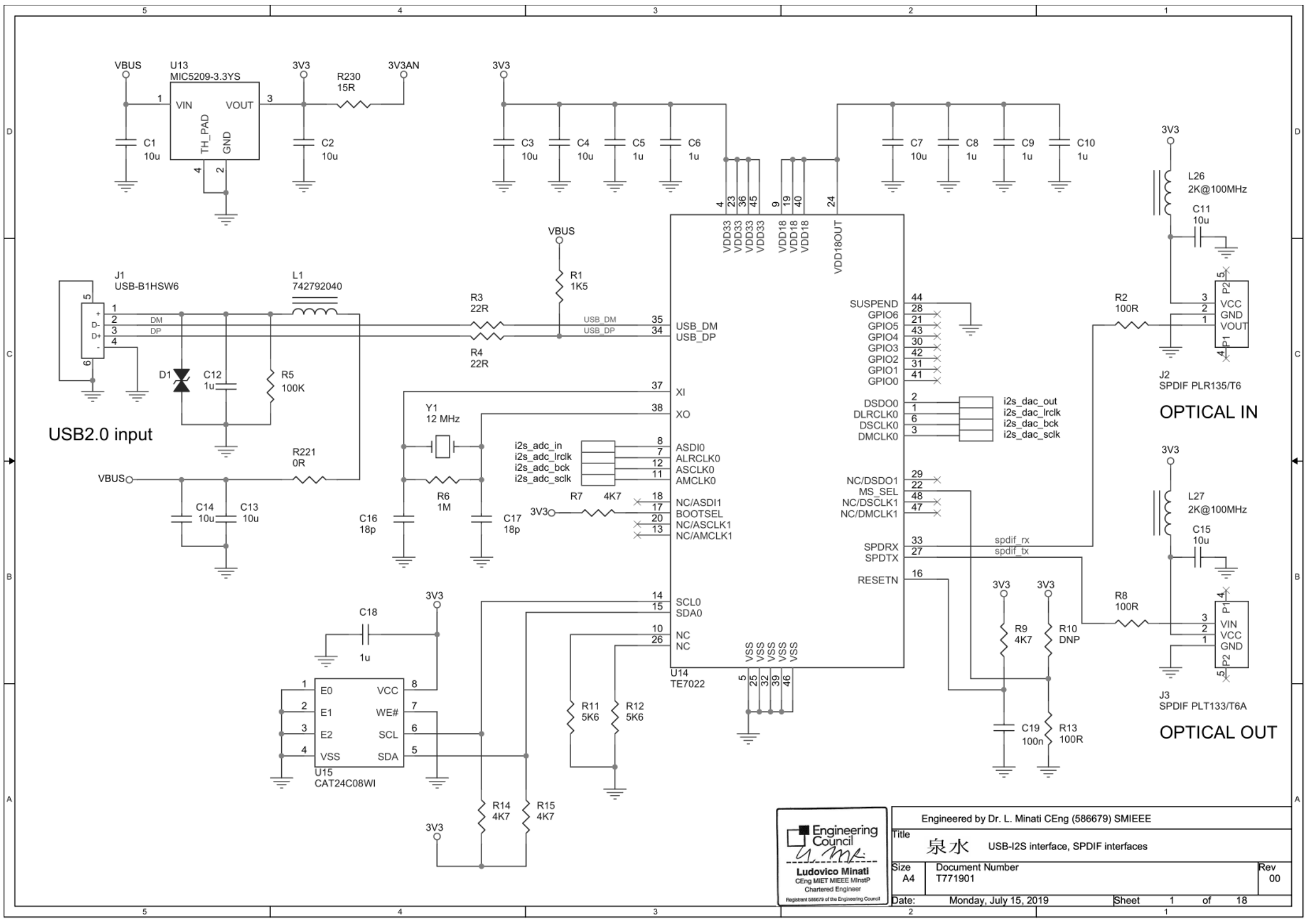
Prototype device developed on own funds, time and resources by Dr. Ludovico Minati exclusively for personal use and learning. Publicly released only for generic reference.

Direct questions and comments about these schematics to lminati@ieee.org.

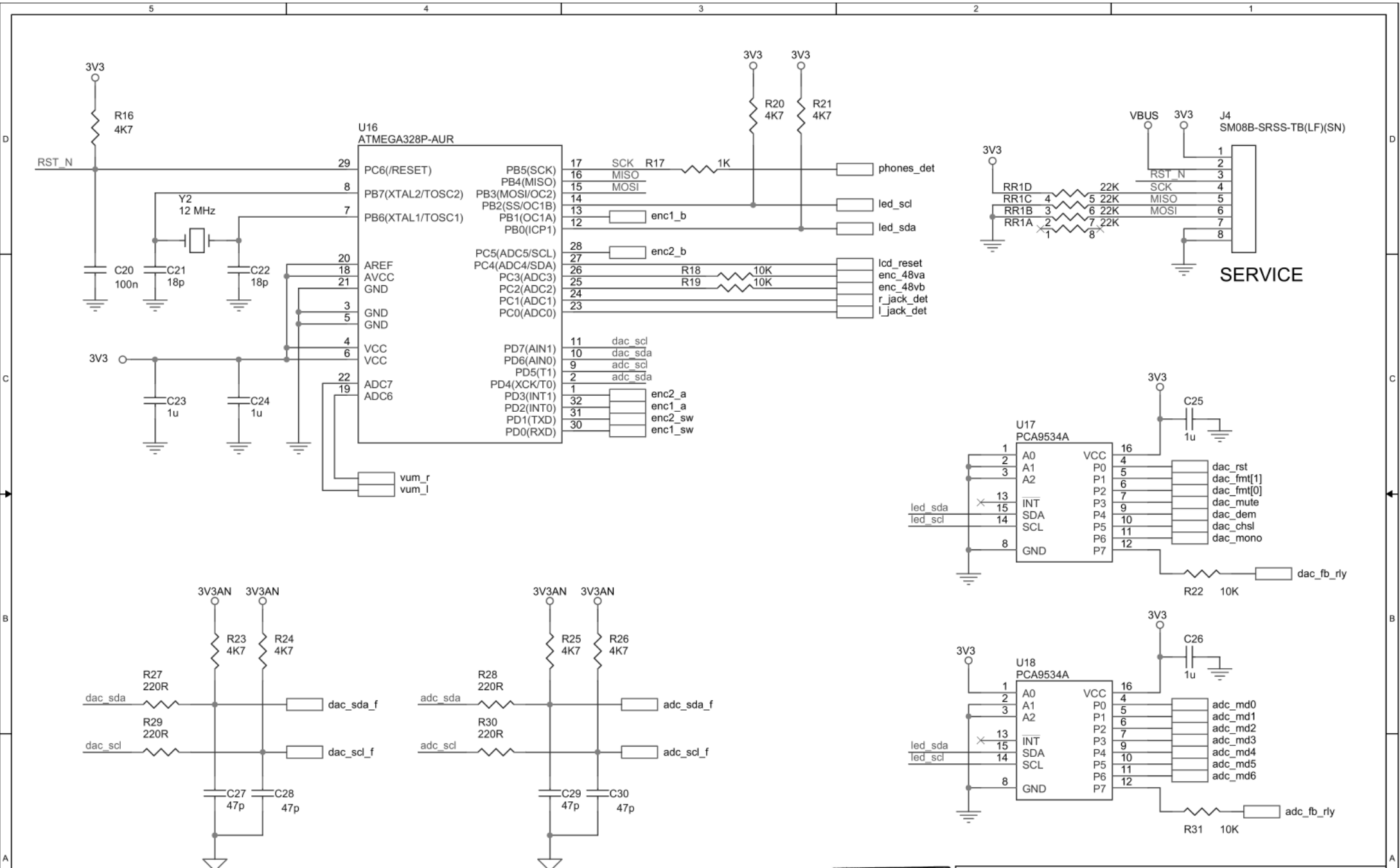
These materials are provided free of charge: you can redistribute them and/or modify them under the terms of the GNU General Public License as published by the Free Software Foundation, version 3. These materials are distributed in the hope that they will be useful, but WITHOUT ANY WARRANTY; without even the implied warranty of MERCHANTABILITY or FITNESS FOR A PARTICULAR PURPOSE. See the GNU General Public License for more details. In particular, this design should be treated as UNVERIFIED and UNCERTIFIED.

You should have received a copy of the GNU General Public License along with this design. If not, see <http://www.gnu.org/licenses/>.

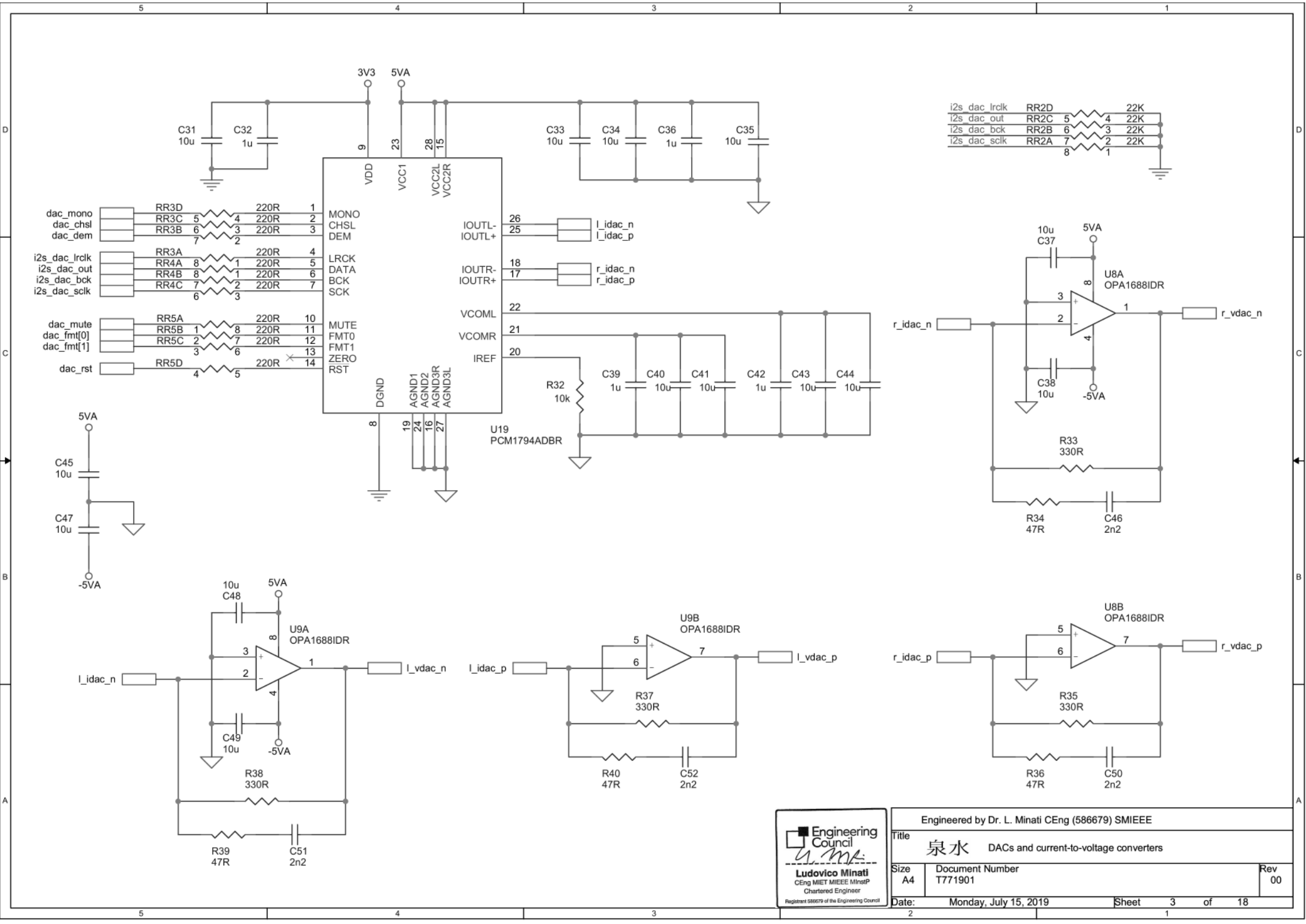
Board layout design and prototyping were performed thanks to the kind contribution of Tecno77 Srl (info@tecno77.com).



Engineered by Dr. L. Minati CEng (586679) SMIEEE		
Title 泉水 USB-I2S interface, SPDIF interfaces		
Size A4	Document Number T771901	Rev 00
Date: Monday, July 15, 2019	Sheet 1	of 18



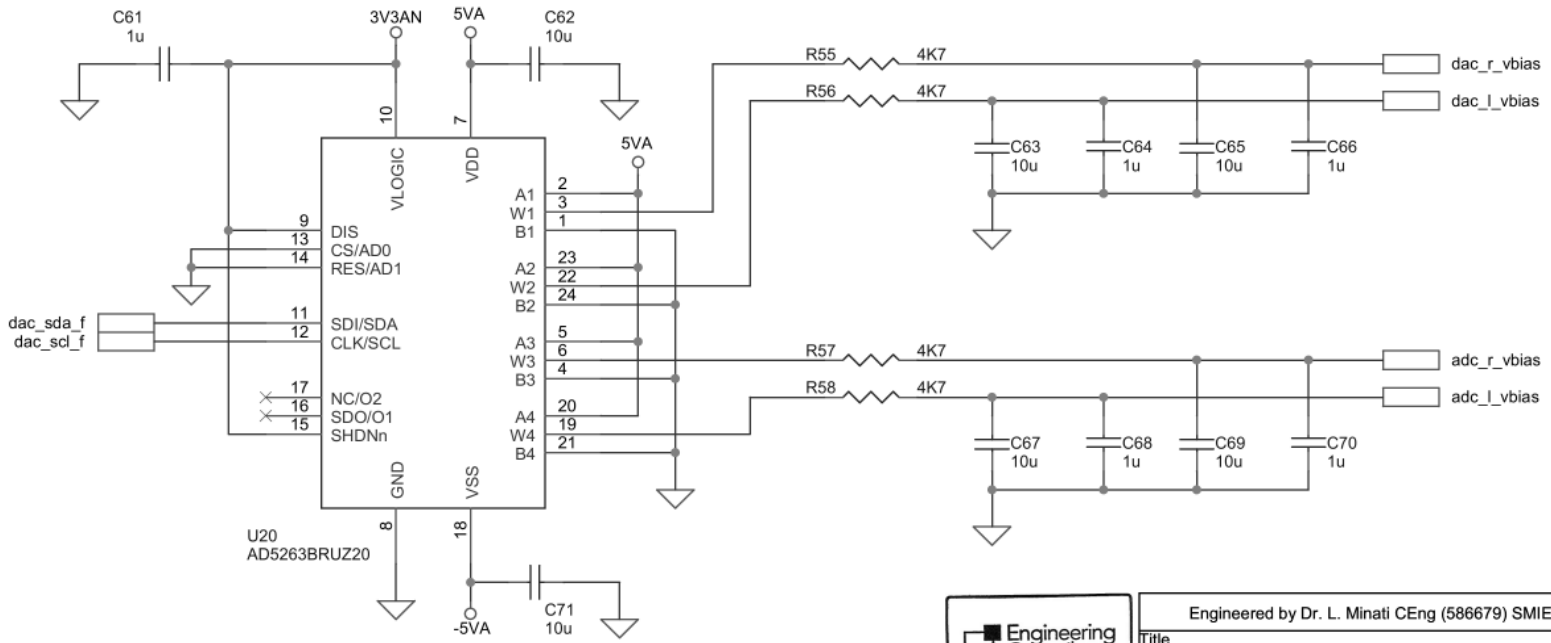
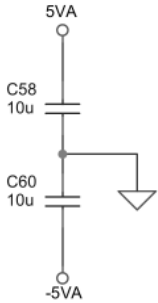
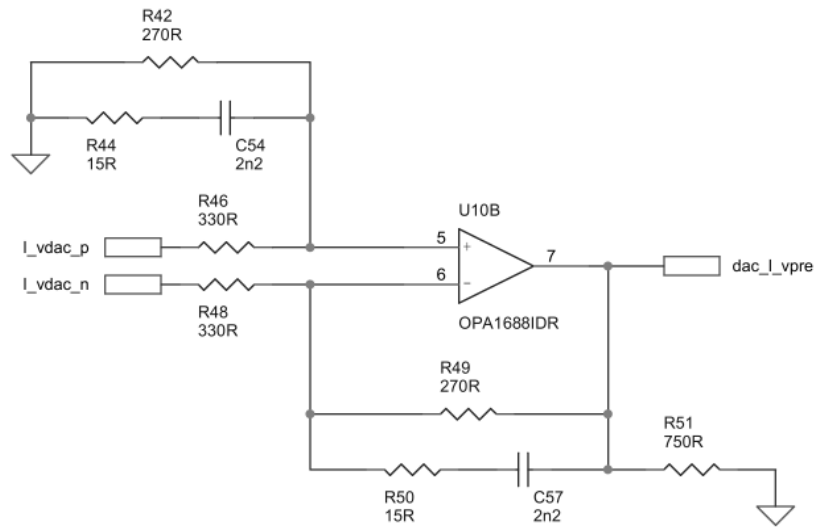
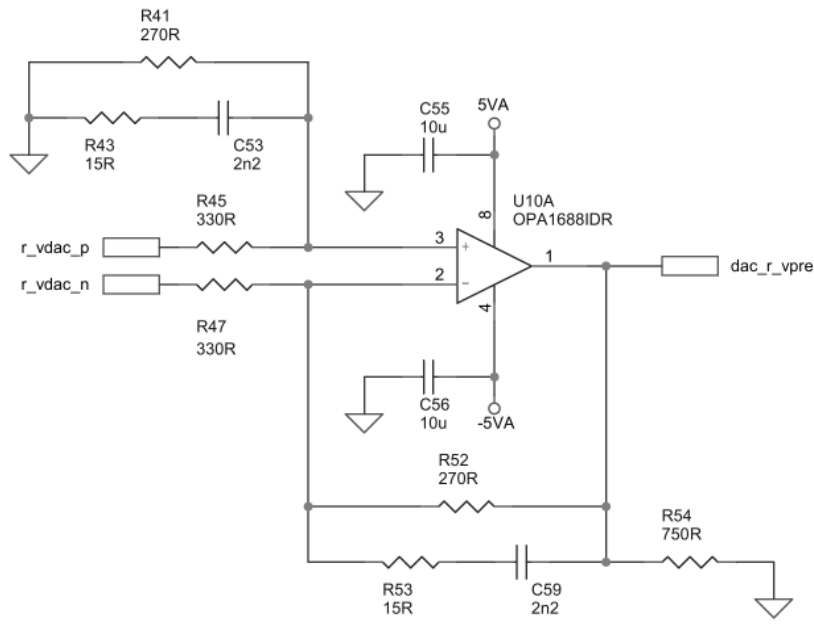
Engineered by Dr. L. Minati CEng (586679) SMIEEE		
Title 泉水 Microcontroller		
Size A4	Document Number T771901	Rev 00
Date:	Monday, July 15, 2019	Sheet 2 of 18



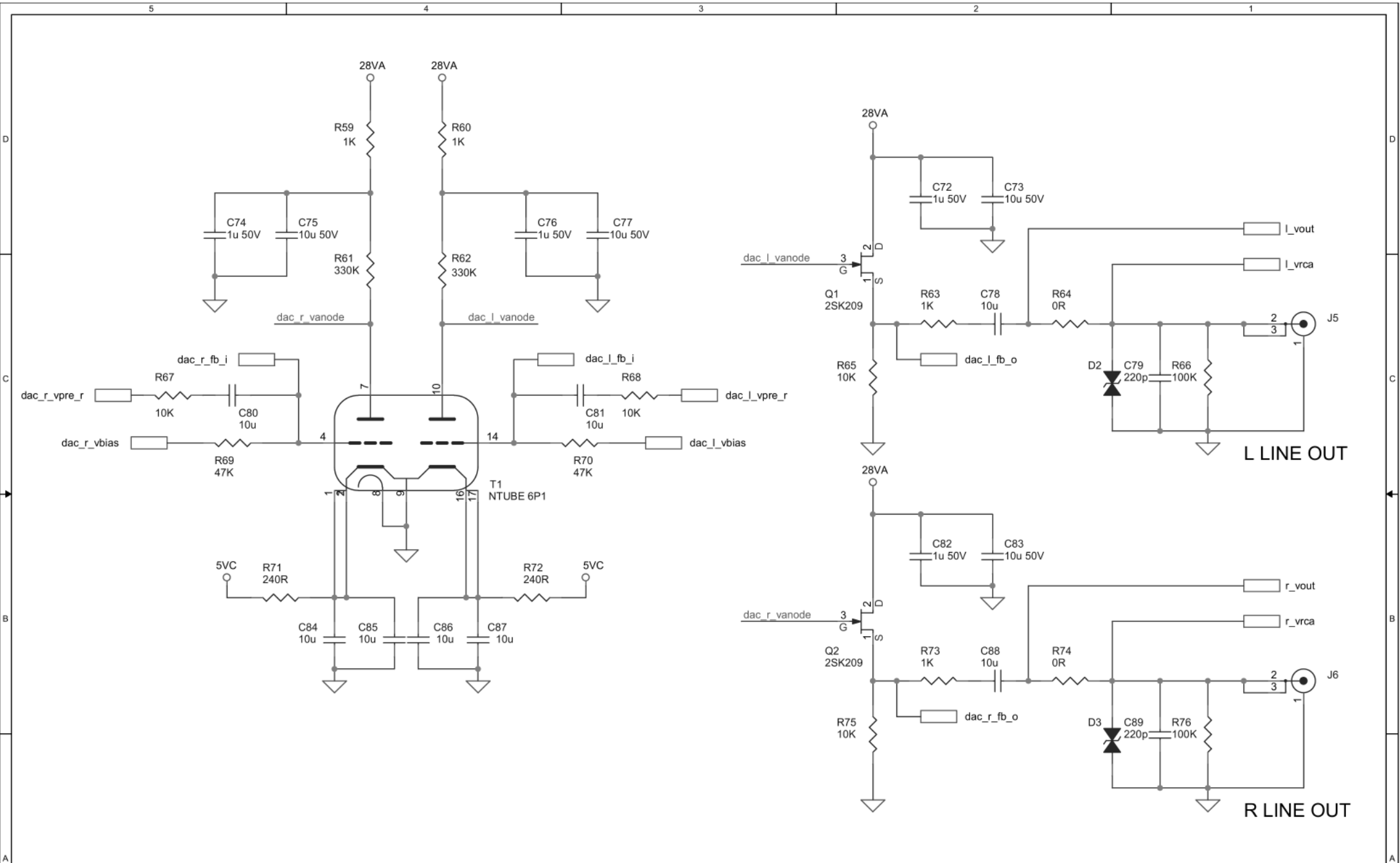
i2s dac lrclk	RR2D	22K
i2s dac out	RR2C	22K
i2s dac bck	RR2B	22K
i2s dac sclk	RR2A	22K



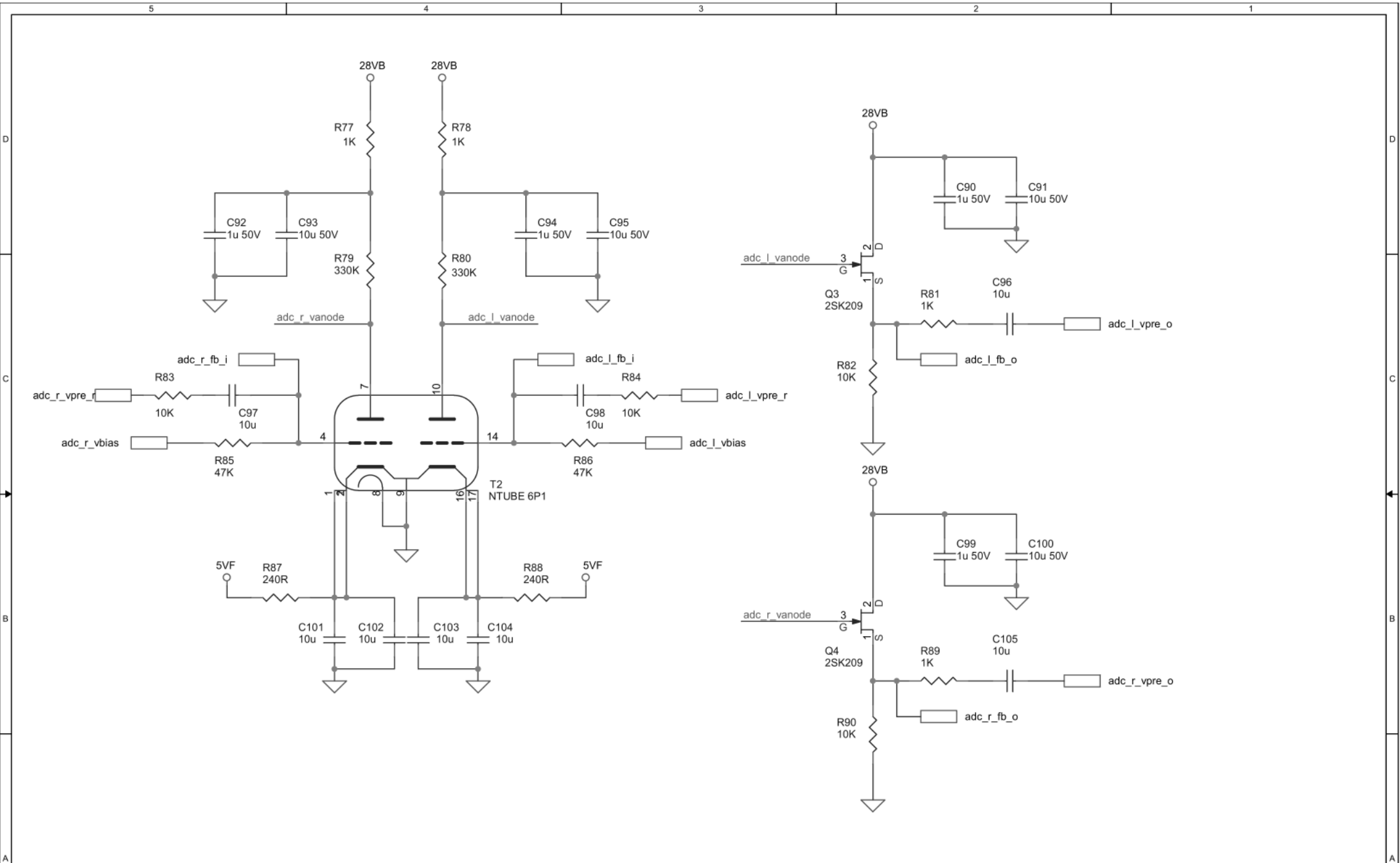
Engineered by Dr. L. Minati CEng (586679) SMIEEE		
Title 泉水 DACs and current-to-voltage converters		
Size A4	Document Number T771901	Rev 00
Date: Monday, July 15, 2019	Sheet 3	of 18



Engineered by Dr. L. Minati CEng (586679) SMIEEE	
Title	泉水 DAC Preampifier, bias and input volume control
Size	Document Number
A4	T771901
Date:	Monday, July 15, 2019
Sheet	4 of 18
Rev	00

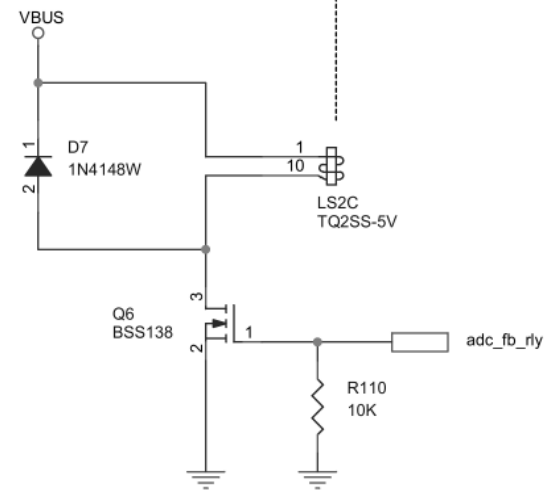
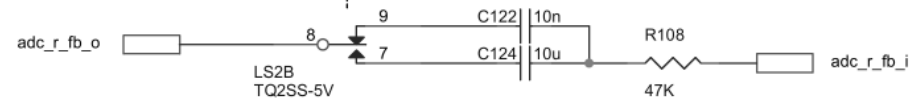
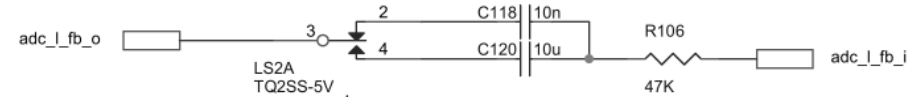
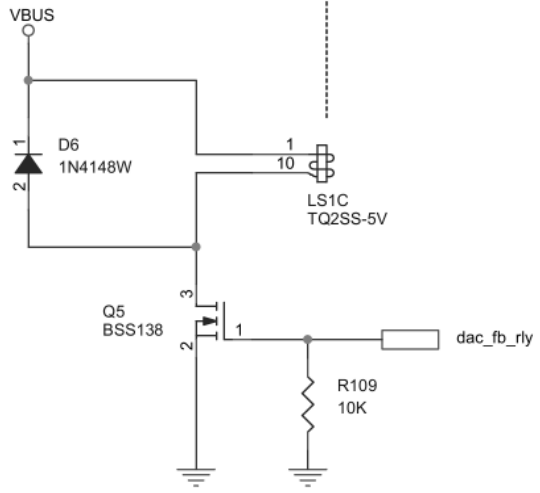
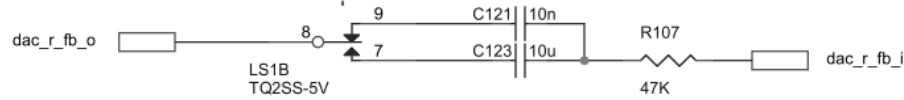
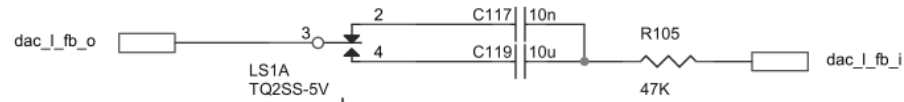


Engineered by Dr. L. Minati CEng (586679) SMIEEE	
Title 泉水 DAC NuTube stage	
Size A4	Document Number T771901
Date: Monday, July 15, 2019	Rev 00
Sheet 5 of 18	

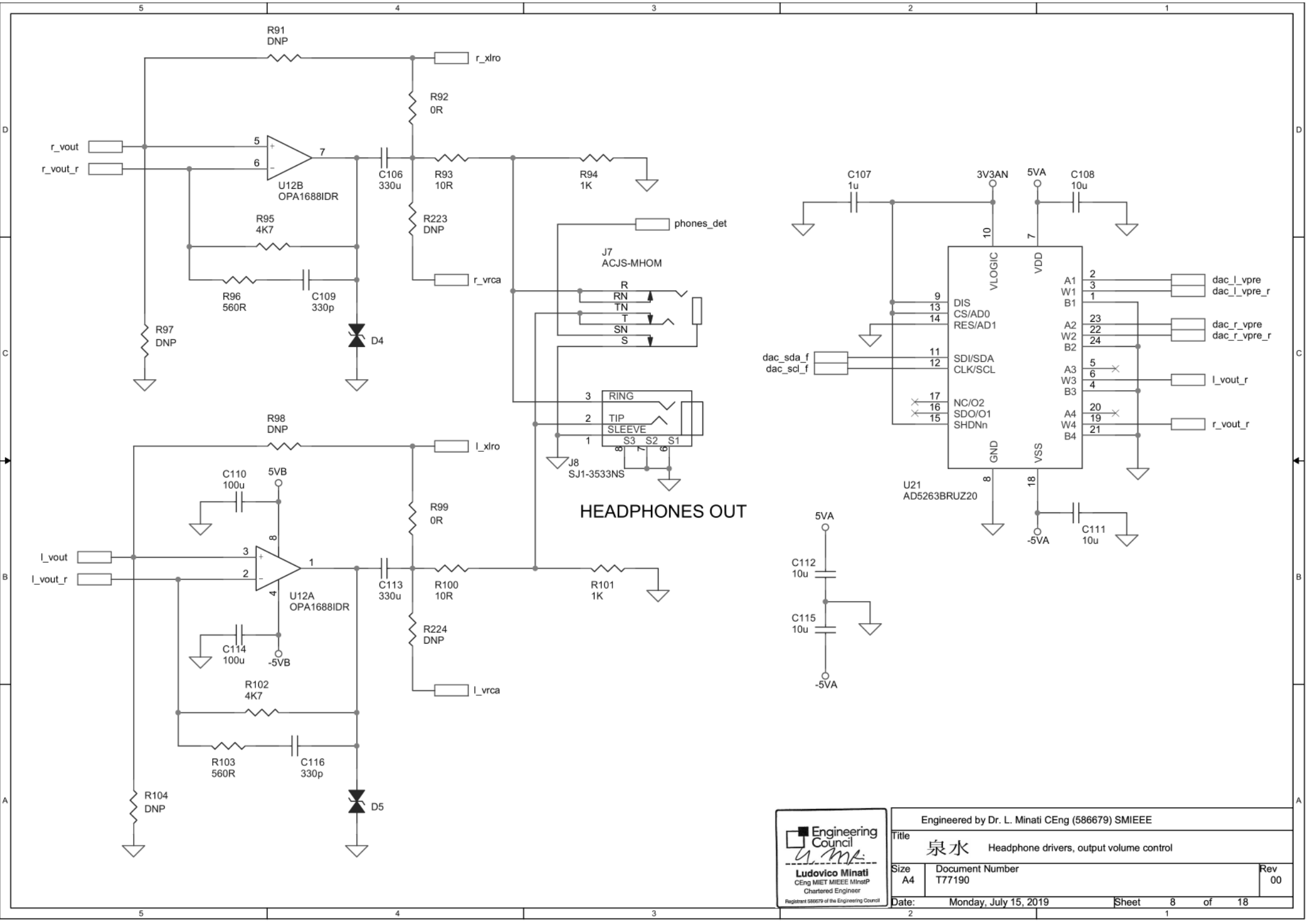



Engineering Council
Ludovico Minati
Ludovico Minati
 CEng MIET MIEEE MinstP
 Chartered Engineer
Register 586679 of the Engineering Council

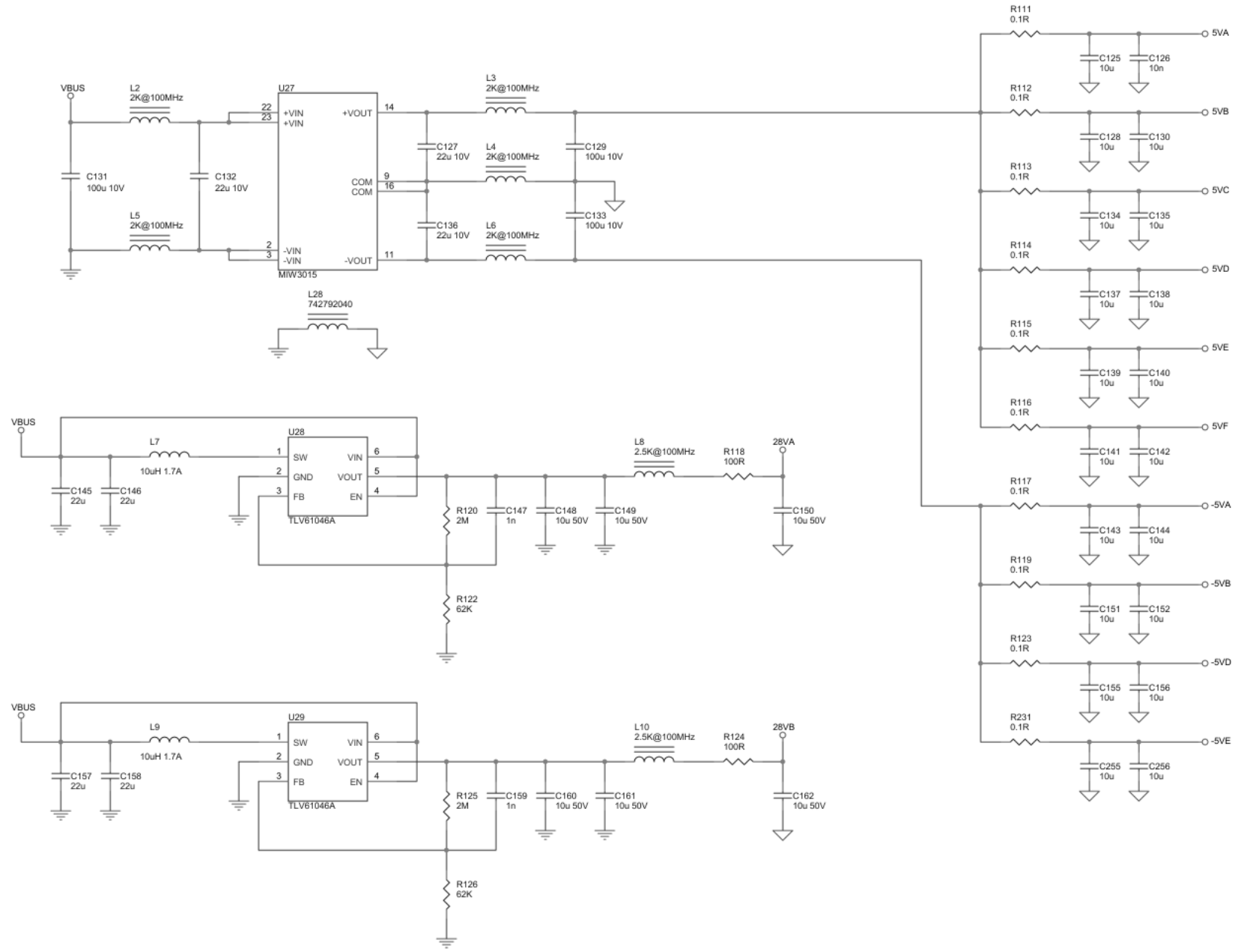
Engineered by Dr. L. Minati CEng (586679) SMIEEE	
Title 泉水 ADC NuTube stage	
Size A4	Document Number T771901
Date: Monday, July 15, 2019	Rev 00
Sheet 6 of 18	

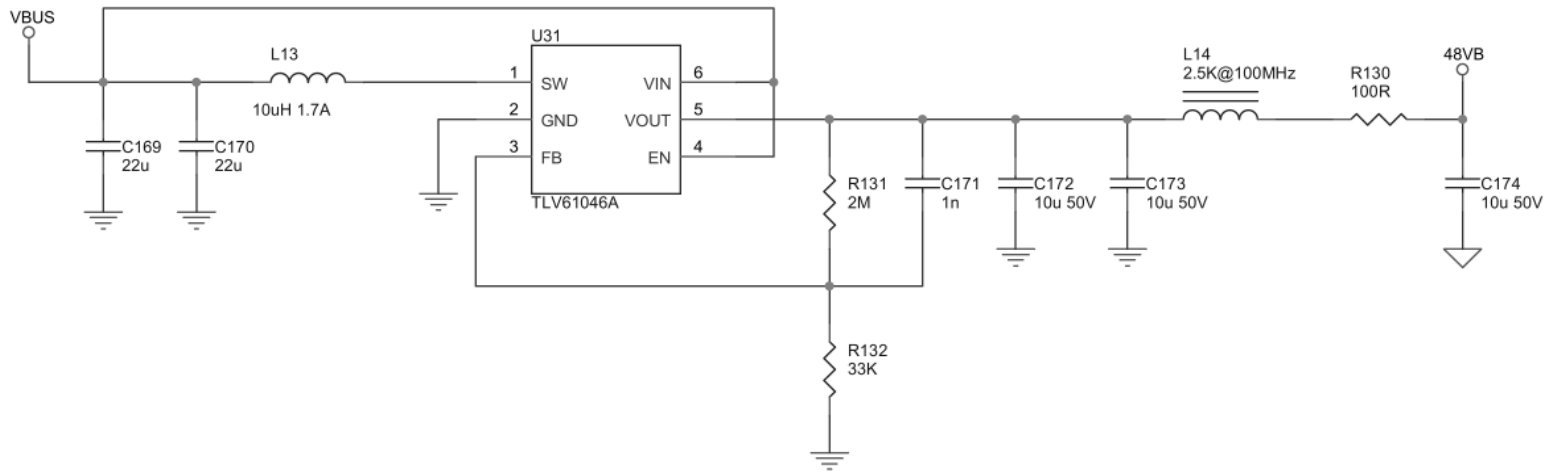
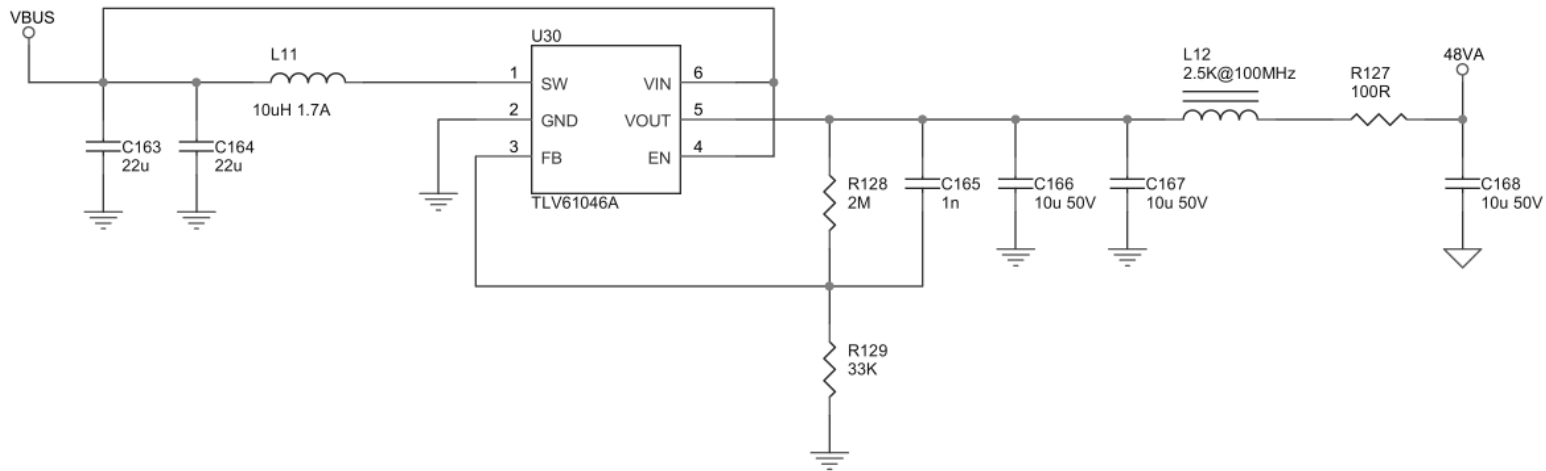


Engineered by Dr. L. Minati CEng (586679) SMIEEE		
Title 泉水 ADC / DAC Harmonic control feedback		
Size A4	Document Number T771901	Rev 00
Date:	Monday, July 15, 2019	Sheet 7 of 18

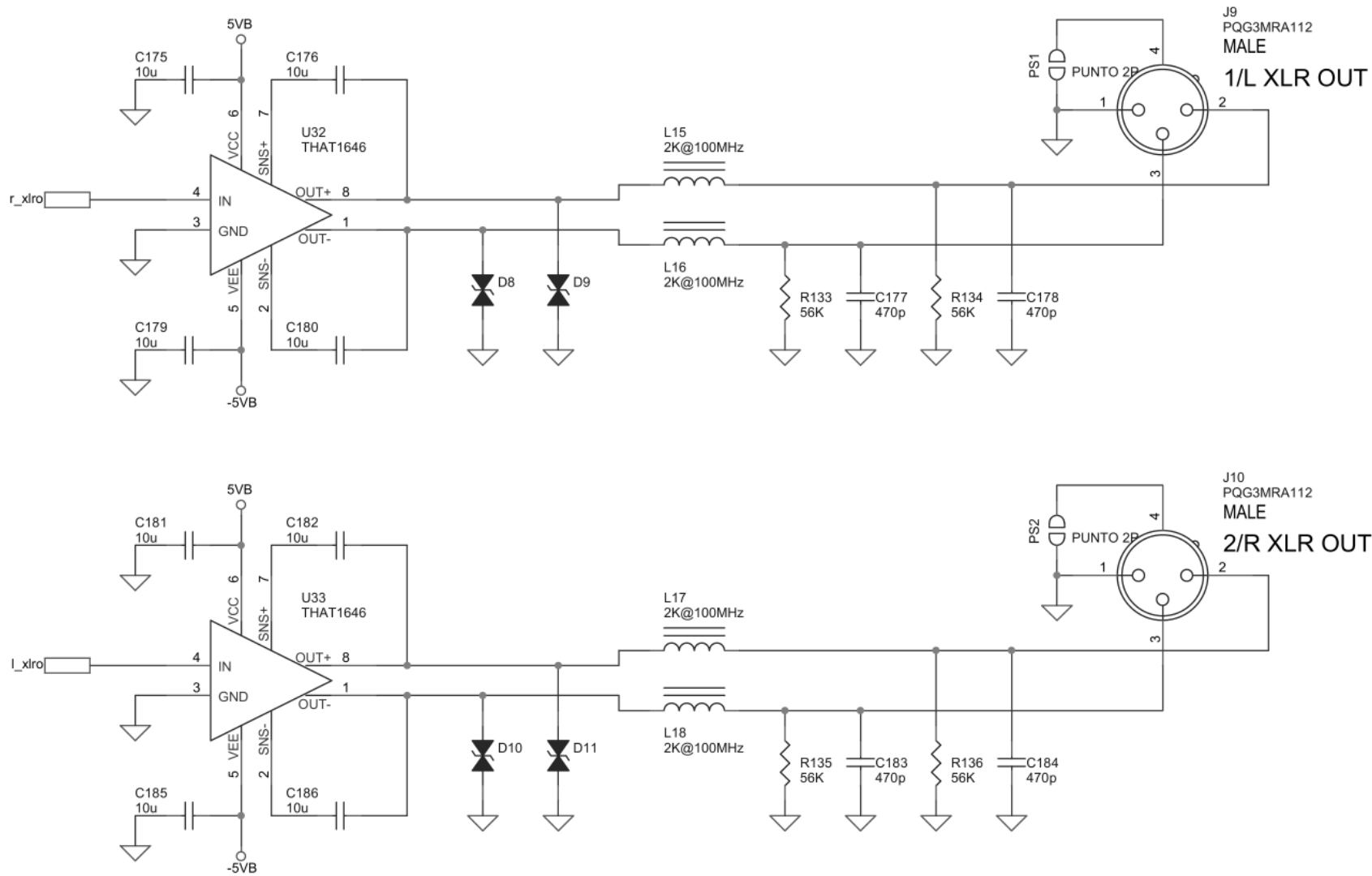


Engineered by Dr. L. Minati CEng (586679) SMIEEE		
Title 泉水 Headphone drivers, output volume control		
Size A4	Document Number T77190	Rev 00
Date: Monday, July 15, 2019	Sheet 8	of 18

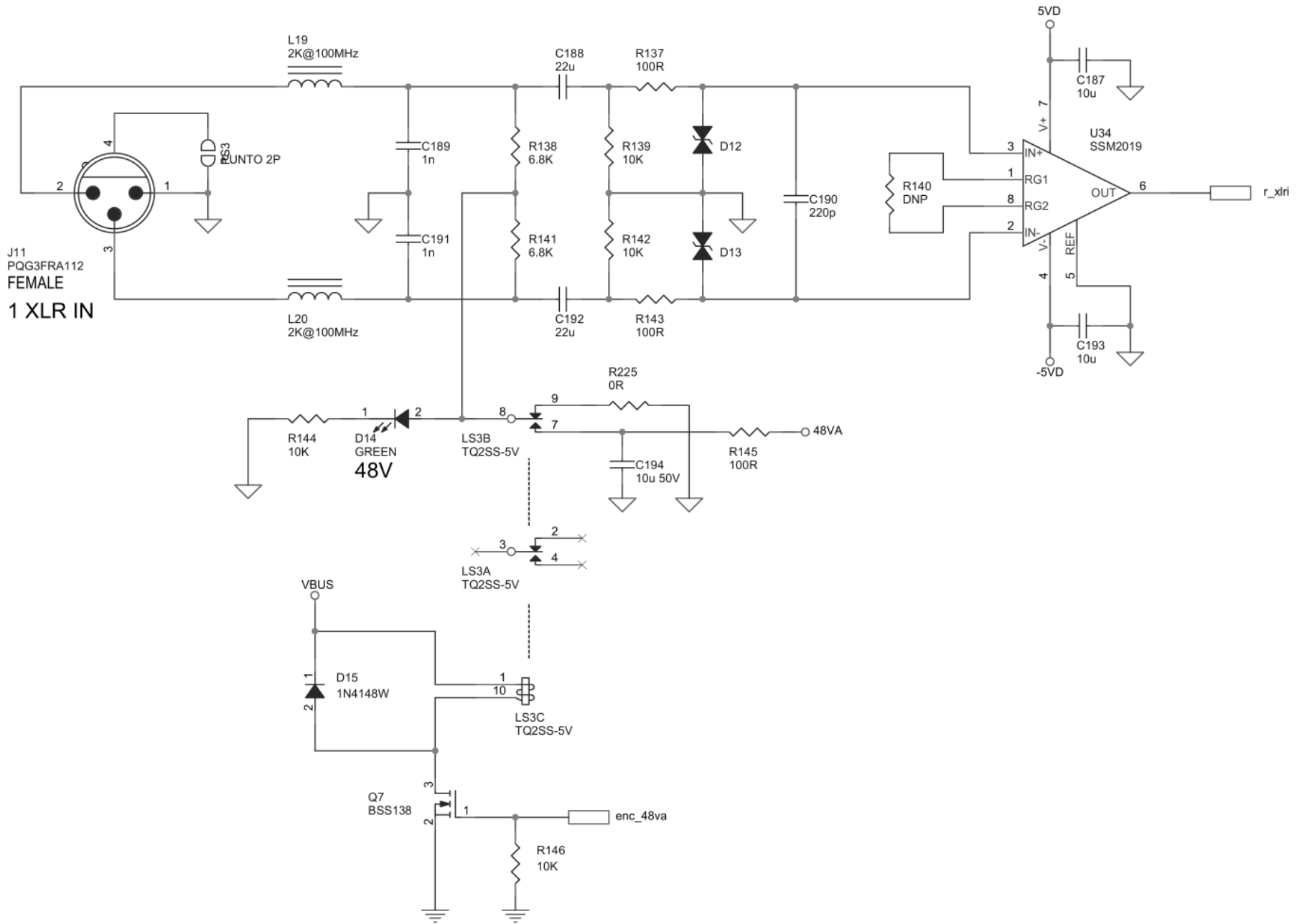




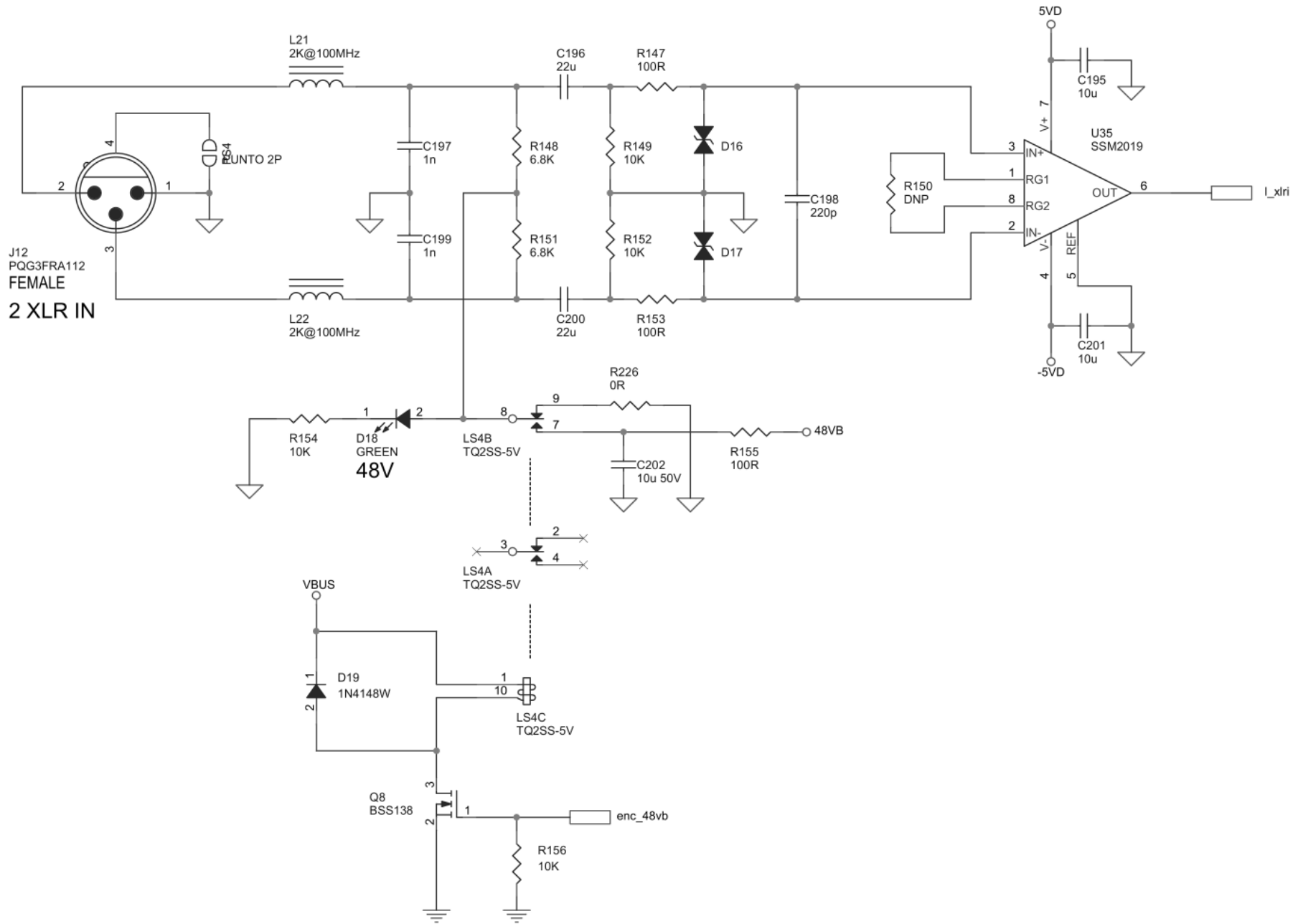
Engineered by Dr. L. Minati CEng (586679) SMIEEE			
Title		泉水 Power regulators	
Size	Document Number	Rev	
A4	T771901	00	
Date:	Monday, July 15, 2019	Sheet	10 of 18



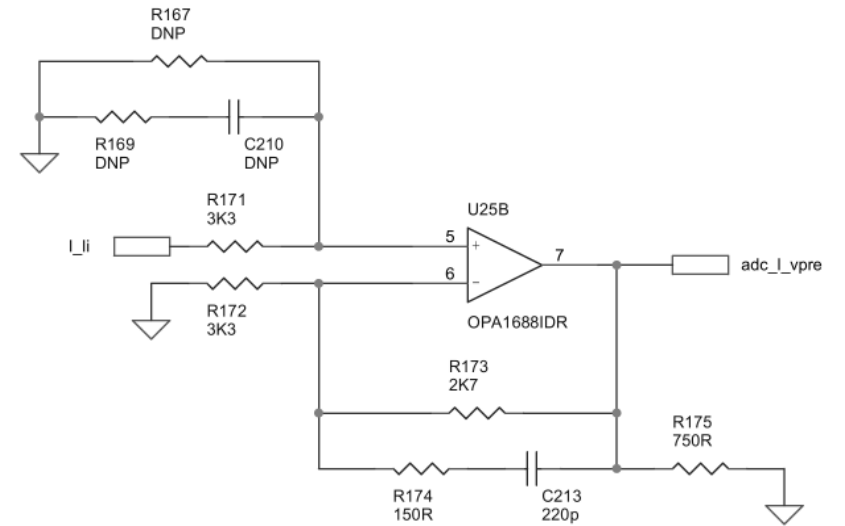
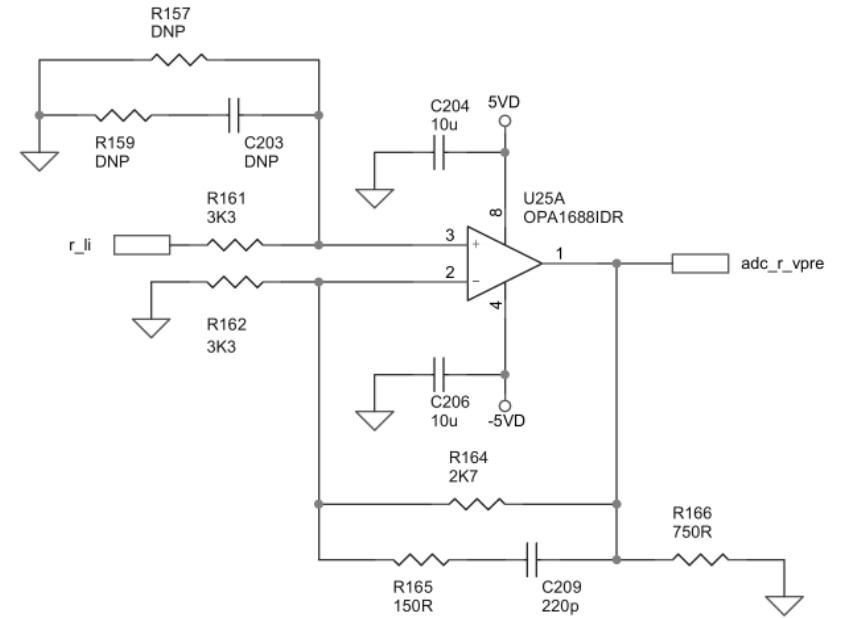
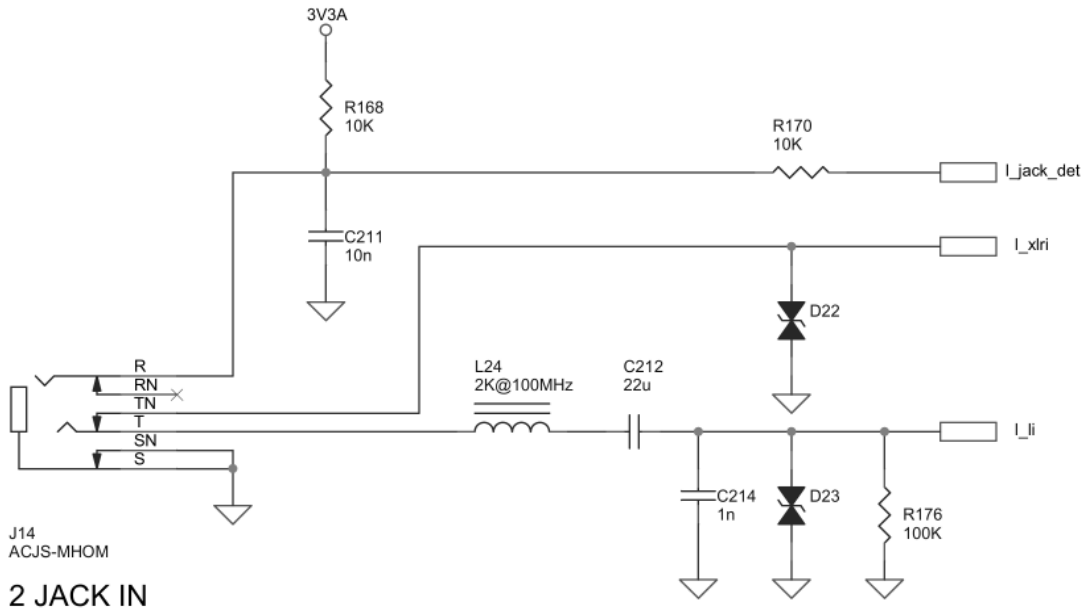
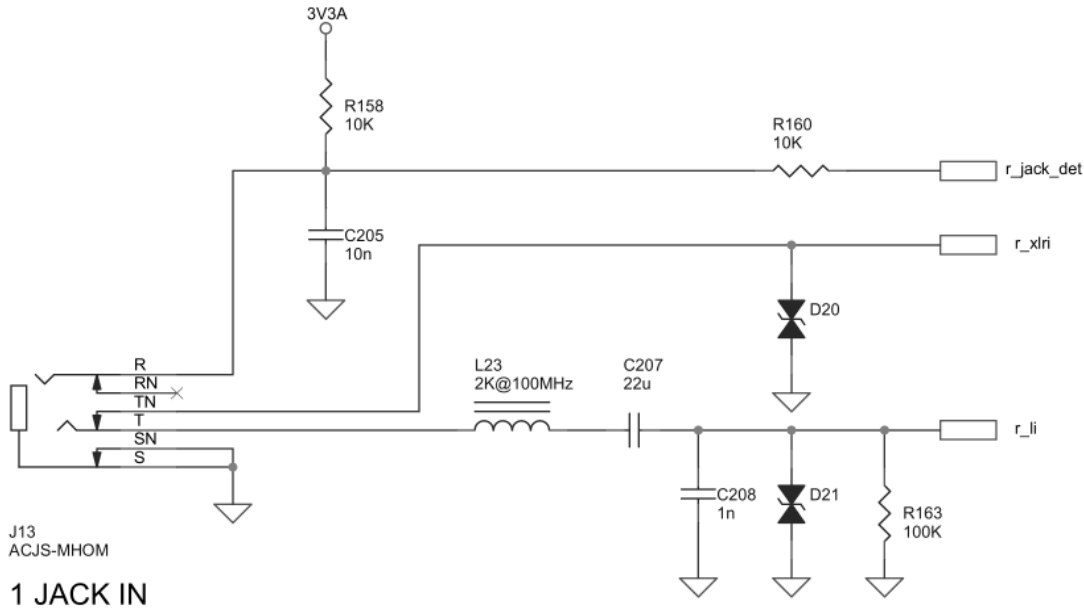
Engineered by Dr. L. Minati CEng (586679) SMIEEE		
Title 泉水 XLR outputs		
Size A4	Document Number T771901 - YUKA	Rev 00
Date: Friday, July 12, 2019	Sheet 11	of 18



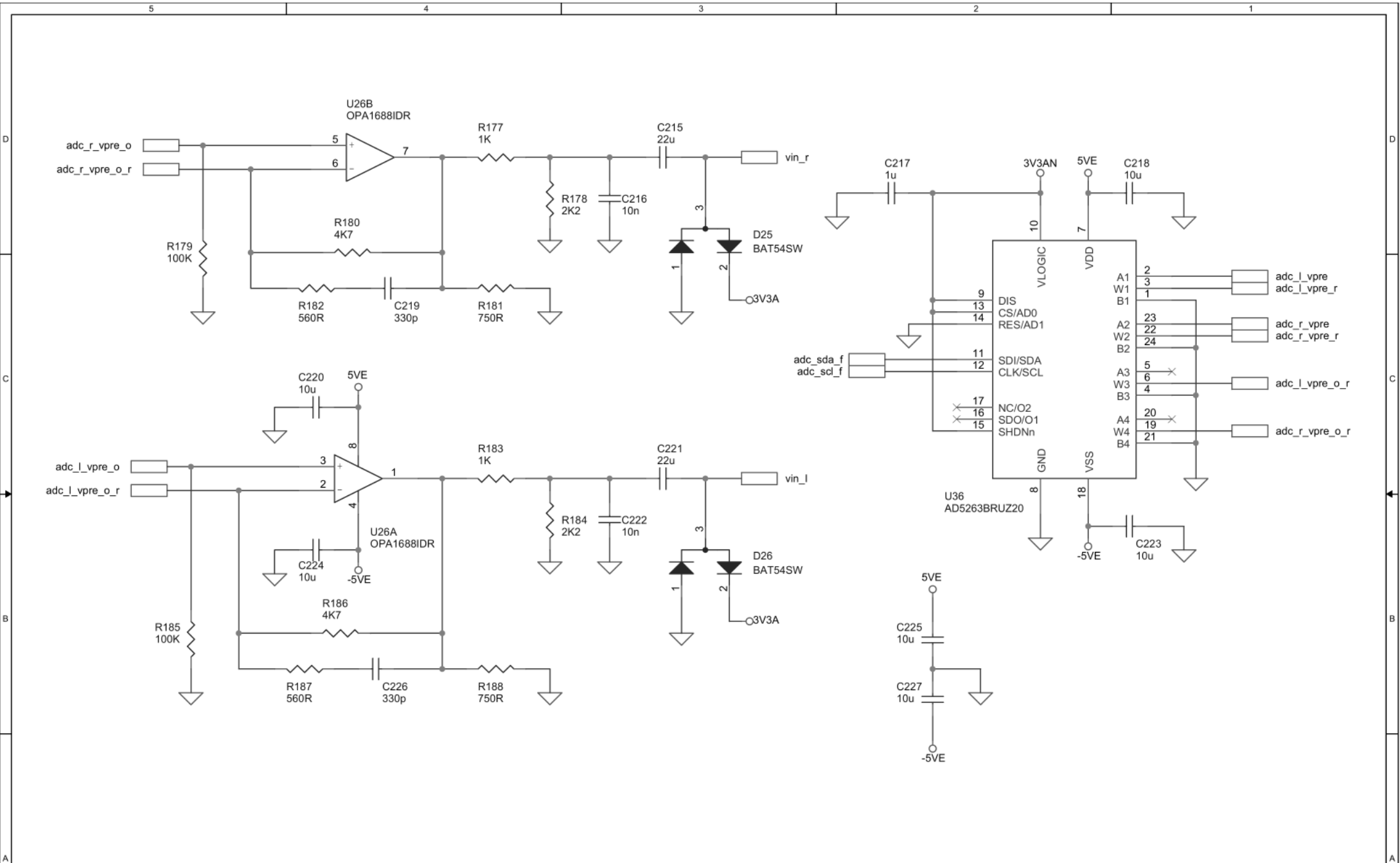
Engineered by Dr. L. Minati CEng (586679) SMIEEE		
Title 泉水 XLR input 1		
Size A4	Document Number T771901 - YUKA	Rev 00
Date: Friday, July 12, 2019	Sheet 12	of 18



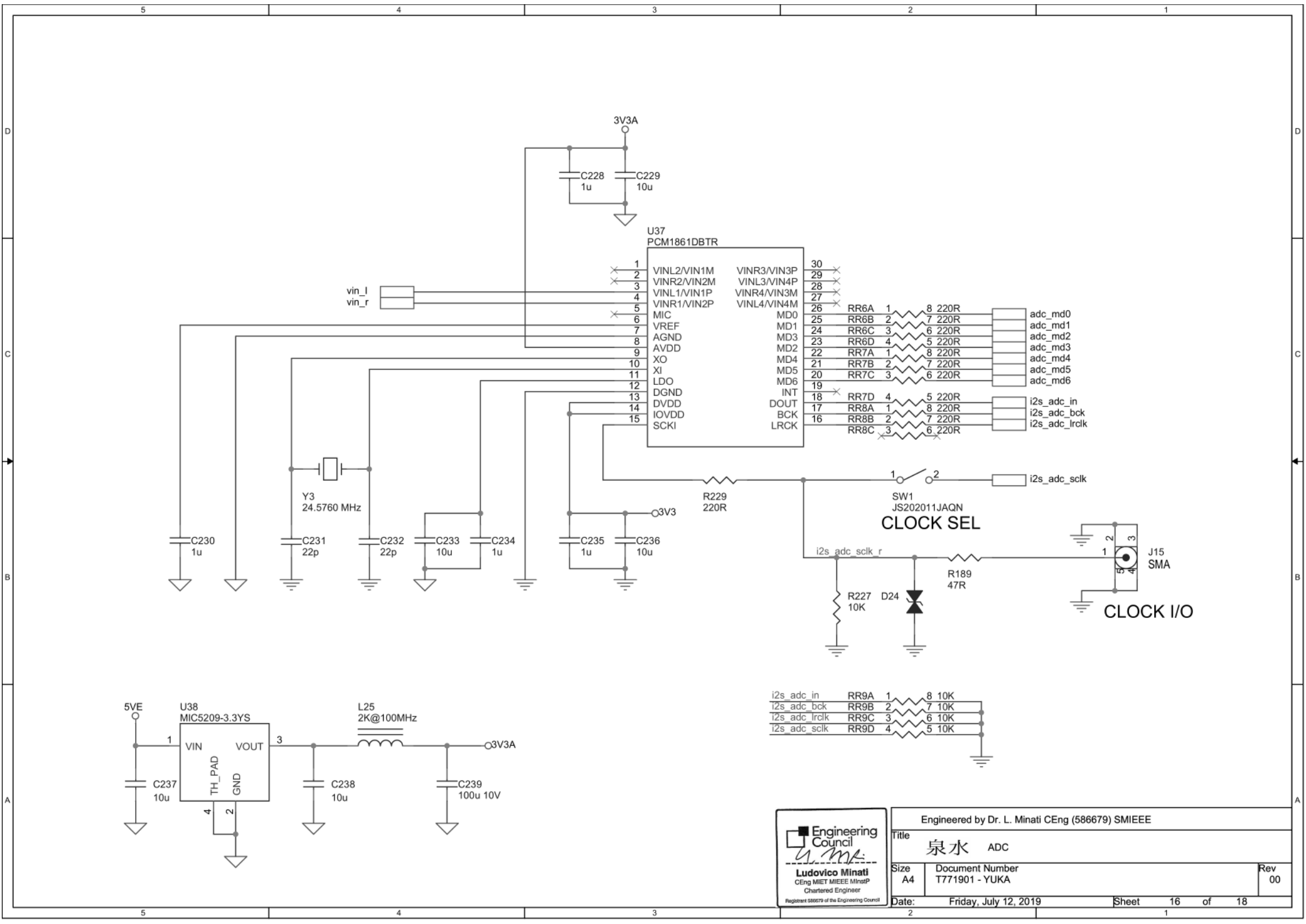
Engineered by Dr. L. Minati CEng (586679) SMIEEE		
Title 泉水 XLR input 2		
Size A4	Document Number T771901 - YUKA	Rev 00
Date: Friday, July 12, 2019	Sheet 13	of 18



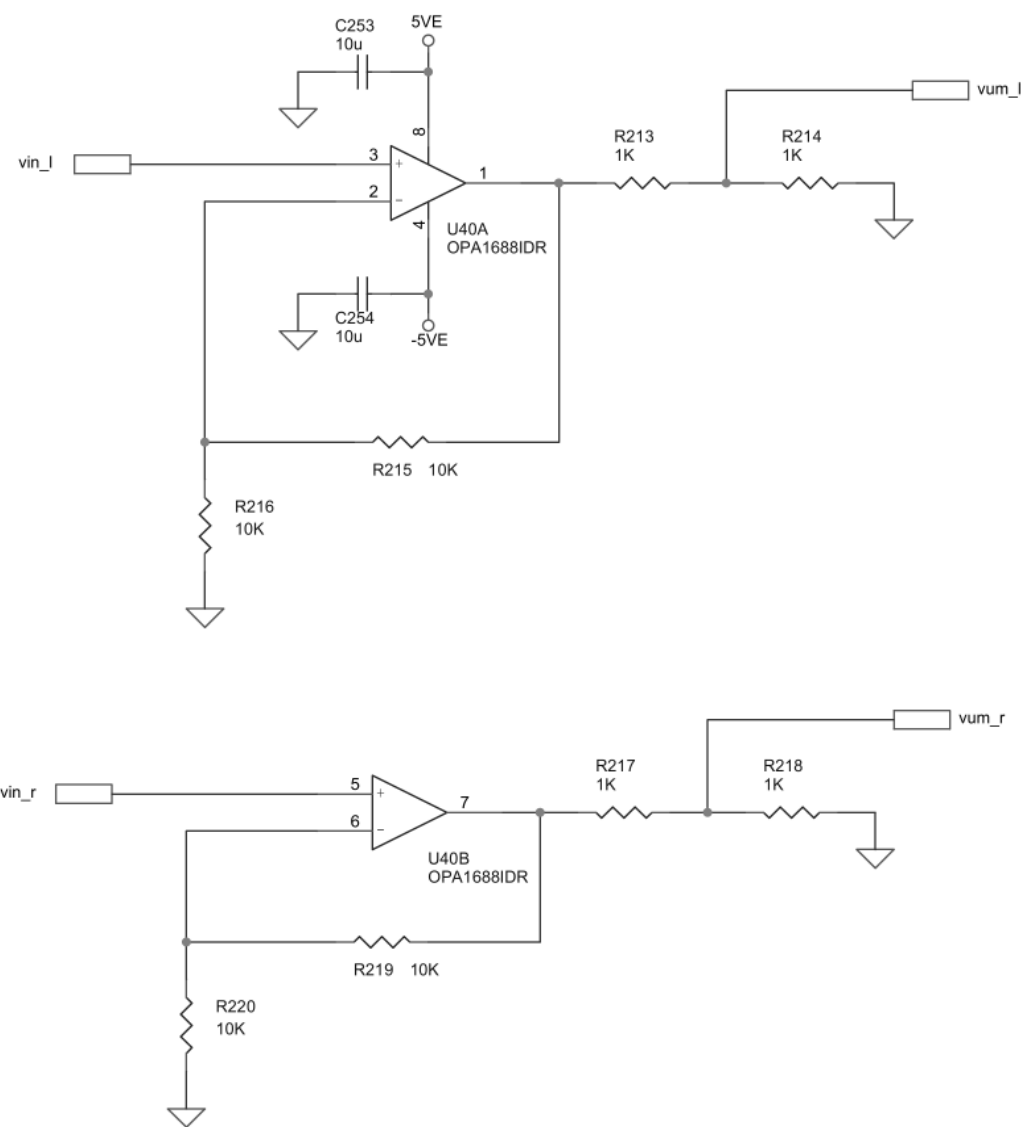
Engineered by Dr. L. Minati CEng (586679) SMIEEE		
Title	泉水 JACK inputs	
Size	Document Number	Rev
A4	T771901 - YUKA	00
Date:	Friday, July 12, 2019	Sheet 14 of 18



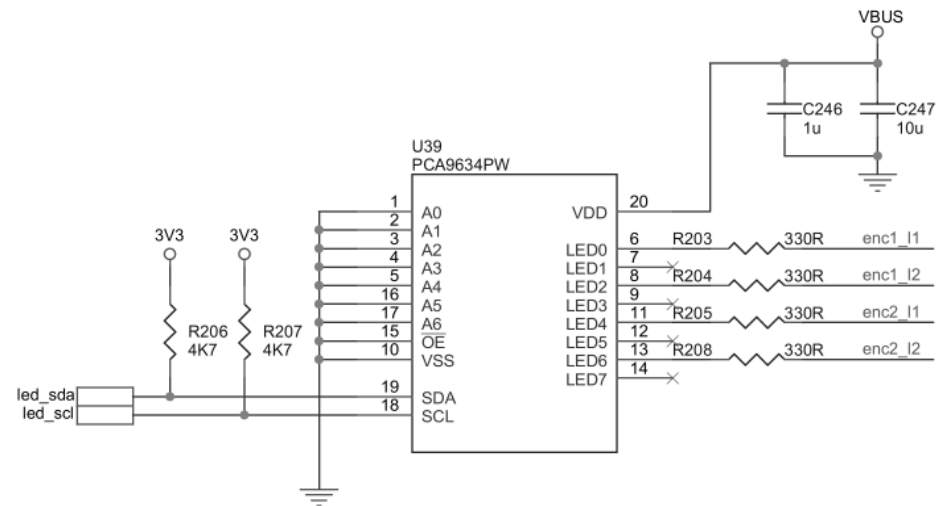
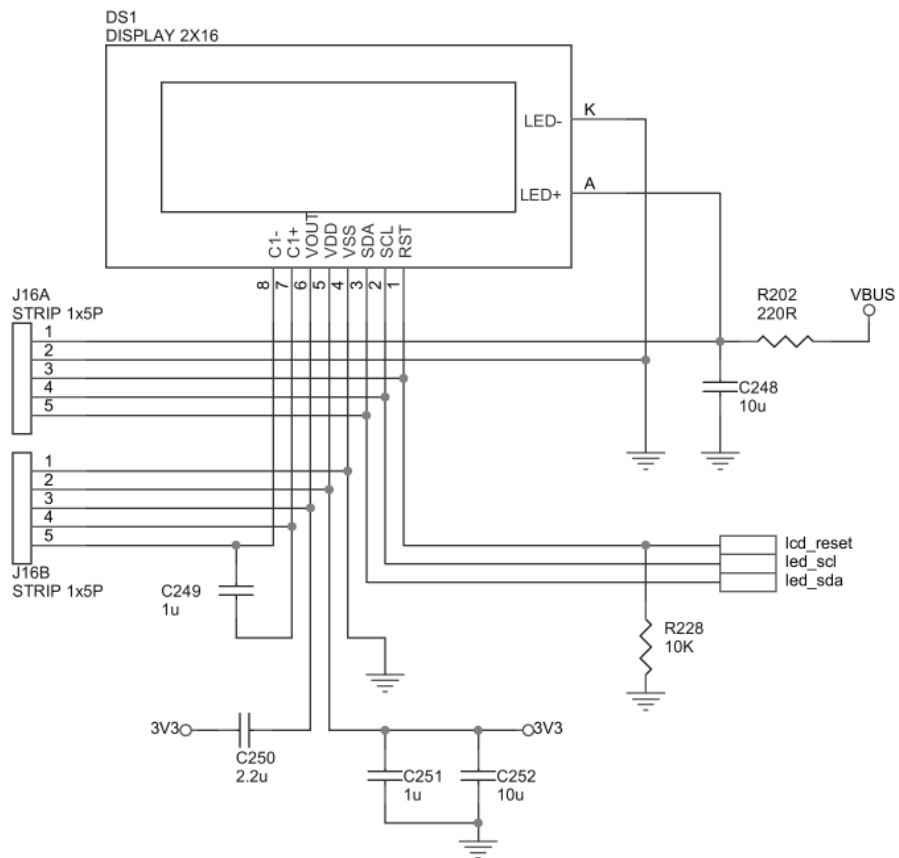
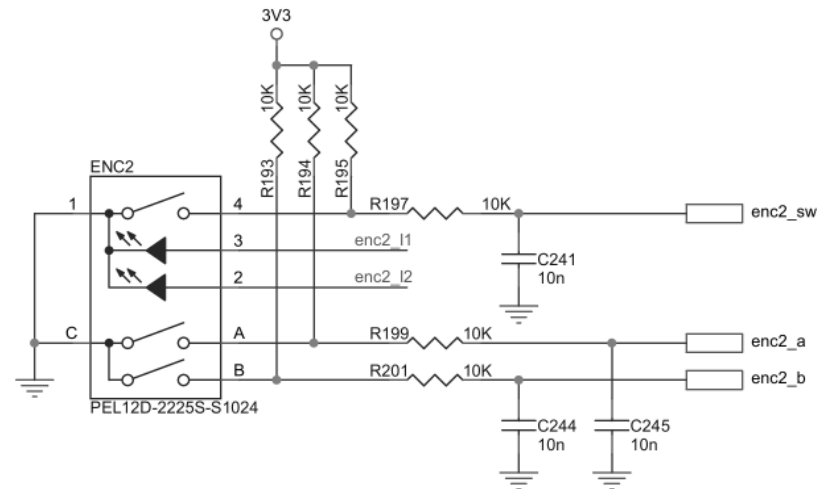
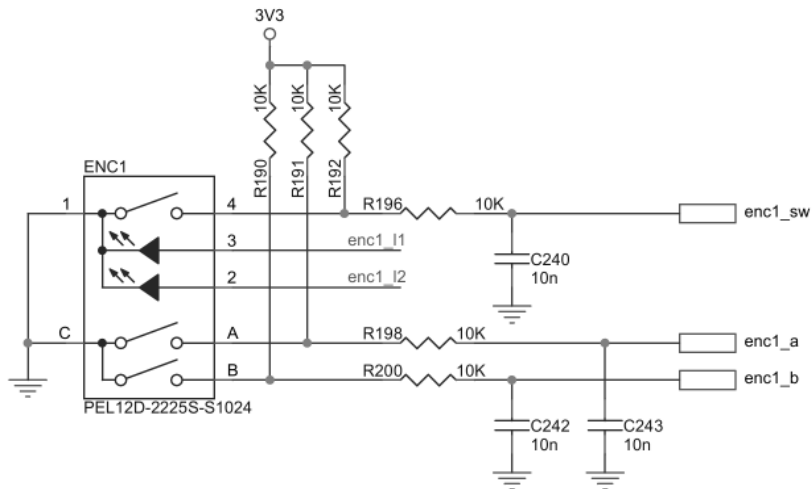
Engineered by Dr. L. Minati CEng (586679) SMIEEE		
Title 泉水 ADC preamplifier, volume control		
Size A4	Document Number T771901 - YUKA	Rev 00
Date: Friday, July 12, 2019	Sheet 15	of 18



Engineered by Dr. L. Minati CEng (586679) SMIEEE		
Title 泉水 ADC		
Size A4	Document Number T771901 - YUKA	Rev 00
Date: Friday, July 12, 2019	Sheet 16	of 18



Engineered by Dr. L. Minati CEng (586679) SMIEEE		
Title 泉水 Vu-M buffers		
Size A4	Document Number T771901 - YUKA	Rev 00
Date: Monday, July 15, 2019	Sheet 17	of 18



Engineered by Dr. L. Minati CEng (586679) SMIEEE		
Title 泉水 User interface		
Size A4	Document Number T771901	Rev 00
Date: Monday, July 15, 2019	Sheet 18	of 18